

Macdee cisterns are designed for direct fitment to a flat wall by means of 4 - No. 8 x 1.5 inch long round-head plated screws (not supplied and suitable wall plugs. If a wooden batten is necessary, it must be long enough to accommodate all four fixing screws.

CONNECTIONS

Water pipes must be carefully aligned before connection to ensure that undue stress is not placed on the cistern after connection.

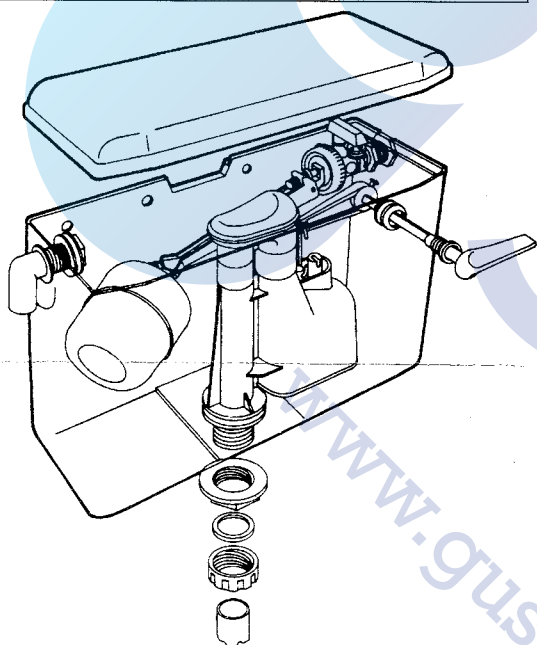
WATER PRESSURE

The float valve is supplied with a high pressure seat fitted. A low pressure seat is also supplied in the parts package. This may be installed by dismantling the float valve.

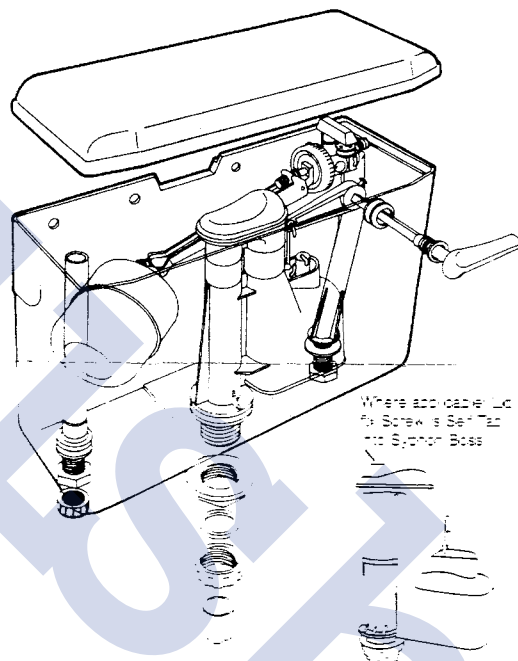
CLOSE - COUPLING

Certain cisterns may be close coupled to the W.C. pan, should this facility be required. Please consult your dealer as an additional fixing kit is required.

LOW LEVEL SIDE FEED & OVERFLOW

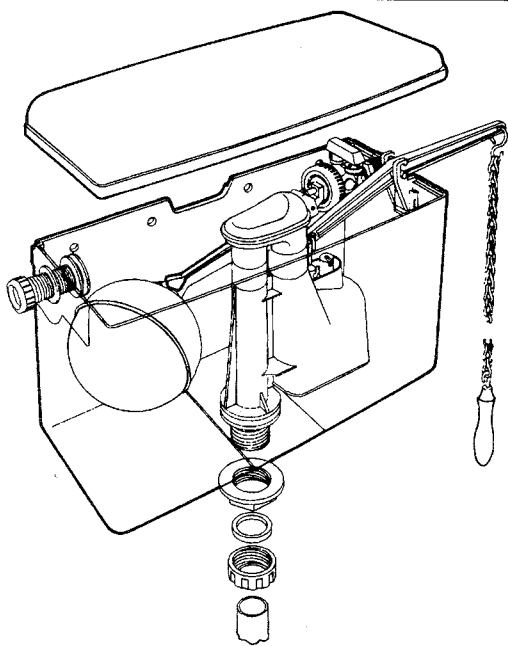


LOW LEVEL BOTTOM FEED & OVERFLOW



ALL Low level cisterns are supplied with a push-in-pan connector

HIGH LEVEL SIDE FEED & OVERFLOW



FOR LOW LEVEL CISTERNS:

Decide whether right or left-hand feed and work out position on wall. Fix badge over unused hole on front of cistern. Where the lid does not require fixing screws it should be securely pushed home.

Where cistern is of internal overflow type, use supplied blanking plug in place of overflow components.

FOR HIGH LEVEL CISTERNS:

Decide whether right or left-hand feed and cut slot in lid to clear lever arm. Work out position on wall.

IMPORTANT NOTICE TO INSTALLER - BOSS WHITE / PUTTY SHOULD NOT BE USED.

Macdee

6 LITRE / 7 LITRE / 9 LITRE CONVERTIBLE SIPHON

NEW INSTALLATION CISTERN + W.C. PAN

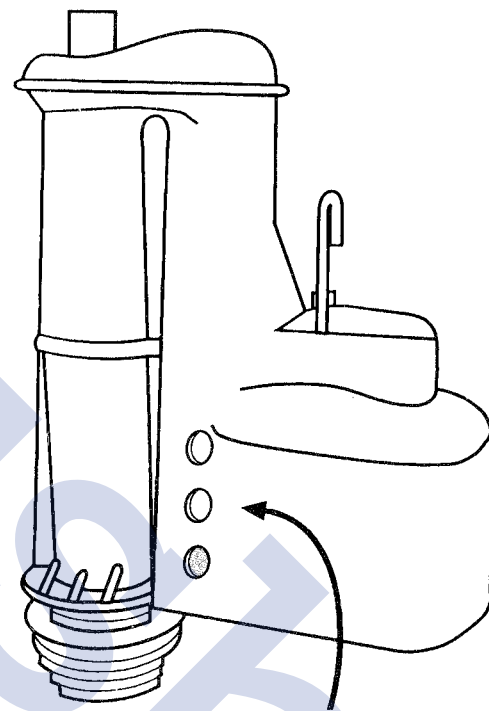
This cistern is set to flush 6 Litres (nominal) to meet The Water Regulations for new w.c.'s flushing 6 Litres maximum, (for 6 Litre flush, the flush volume selector covers the two lower positions).

REPLACEMENT CISTERN CONNECTED TO W.C. PAN INSTALLED AFTER JANUARY 1993 & BEFORE JANUARY 2001

Should a 7 Litre flush be required, snap flush volume selector into two pieces. Close the upper hole using one of the pieces.

REPLACEMENT CISTERN CONNECTED TO W.C. PAN INSTALLED BEFORE JANUARY 1993

Should a 9 Litre flush be required, the two upper positions in the siphon chamber should be closed by pressing the flush volume selector into position.



Press flush volume selector firmly into position to close the required holes.

FLUSH VOLUME SELECTOR

