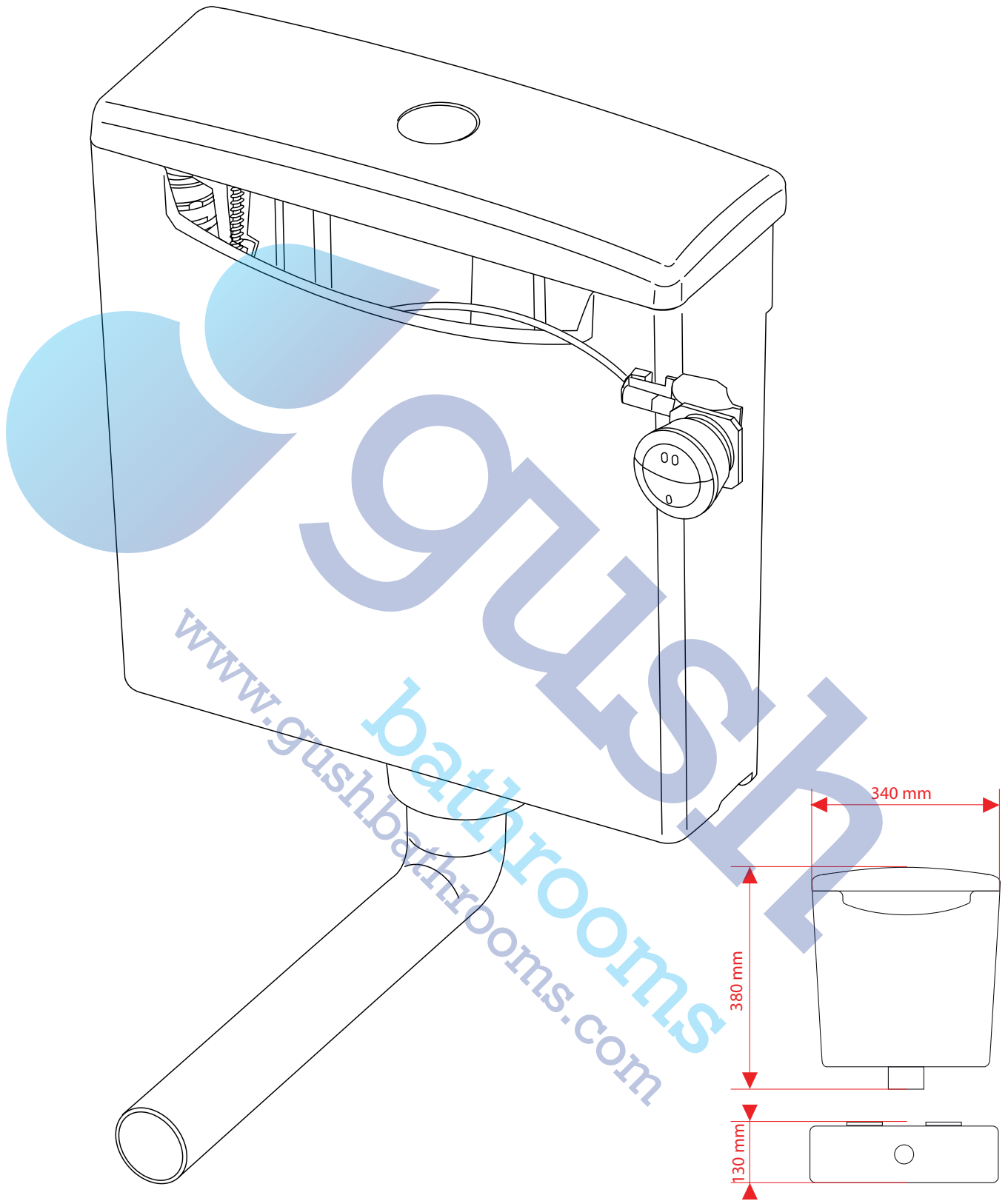
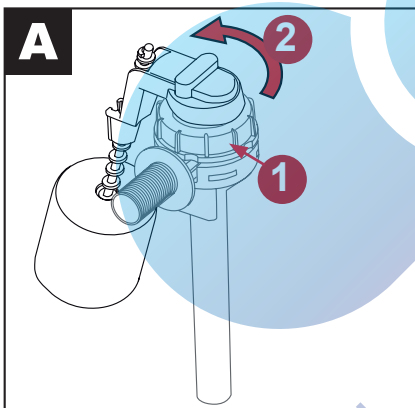
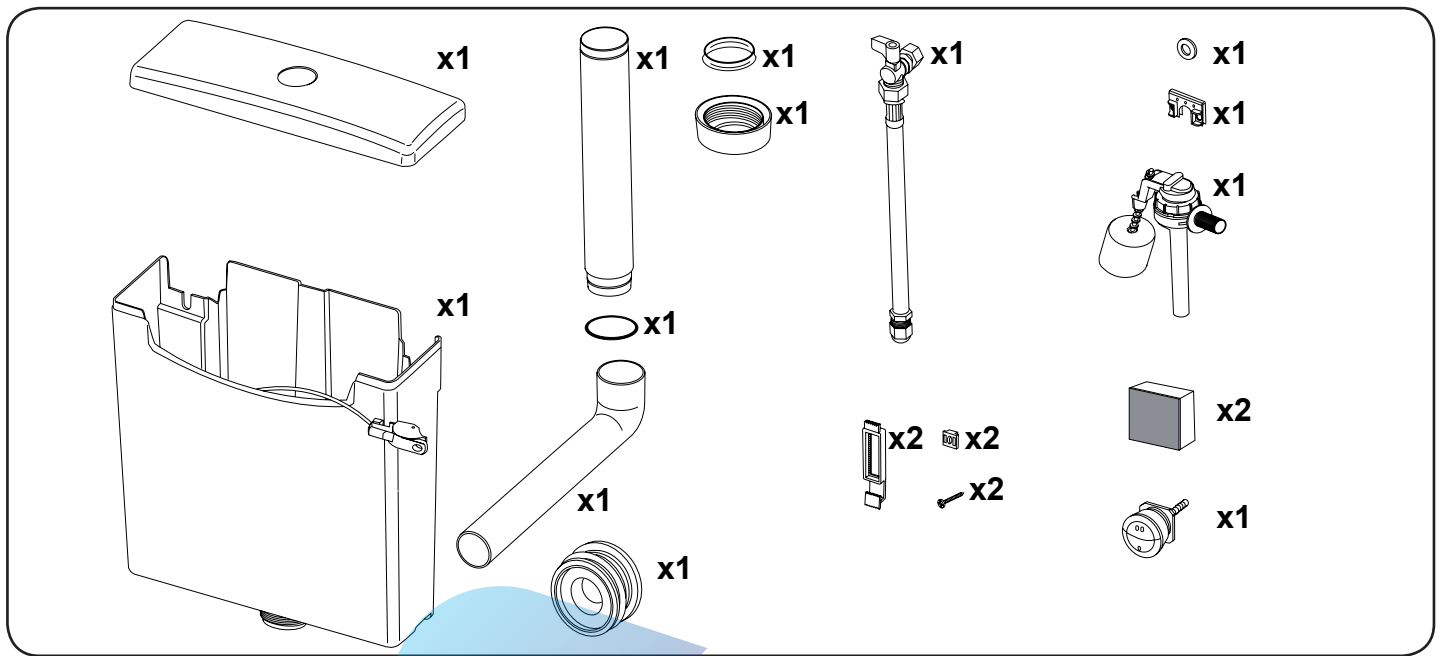


JOLLY TANK

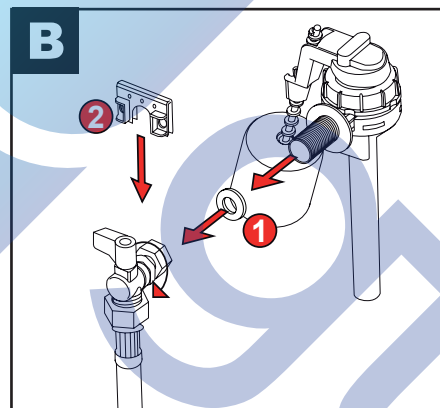
concealed cistern



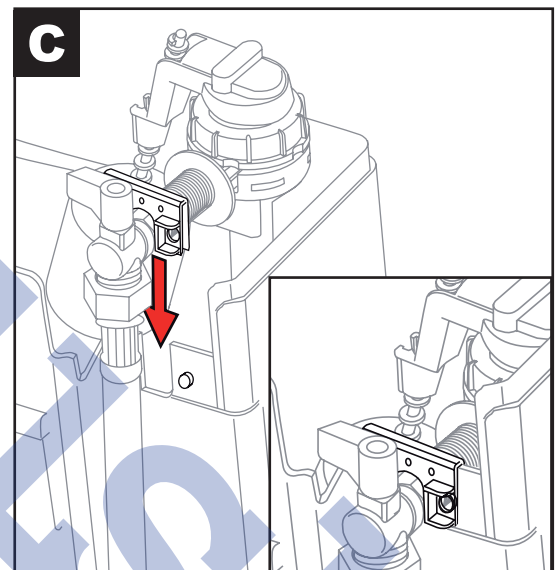
HELP www.wirquin.com



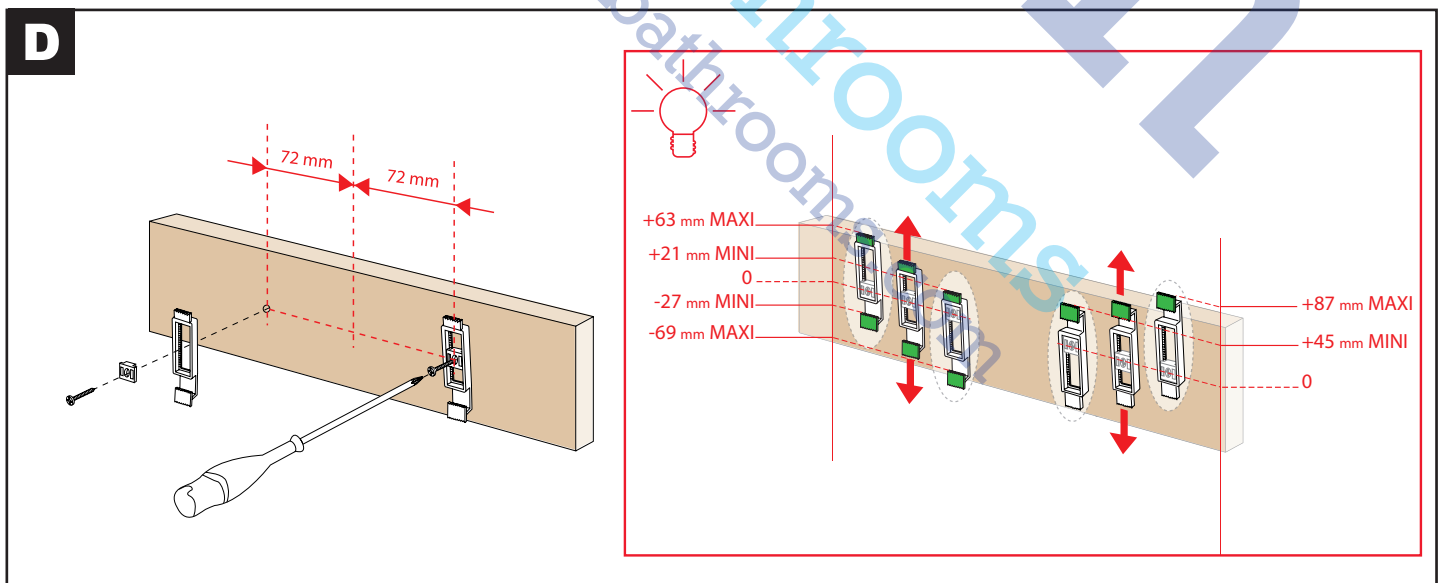
Unscrew the nut ① of the Topy inlet valve. Rotate the head ② of the inlet valve and screw the nut ① back on.



Fix the Topy inlet valve onto the isolation valve.

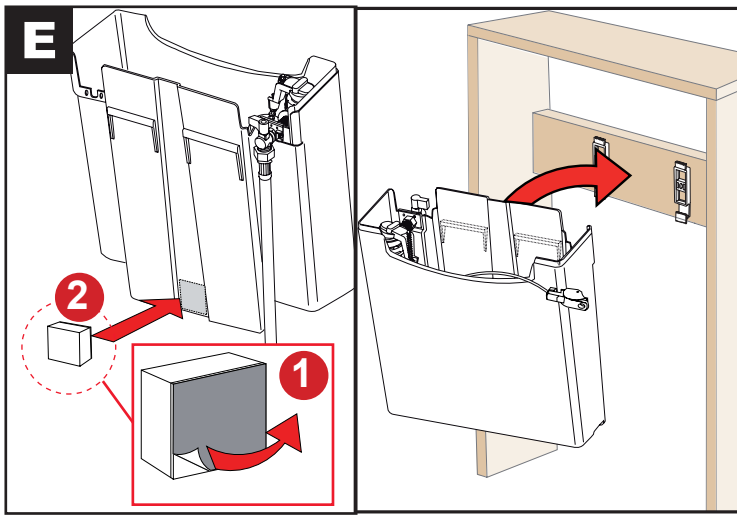


NOTE: Turn the TOPY float to the right if connection is on the left, or to the left if connection is on the right.



Screw the 2 cistern wall supports to the back of the unit.

NOTE: 3 options of positioning the brackets on the unit or wall.



- 1 Take off the sticky protection paper from the foam pad.
- 2 Position the foam pad on the back of the cistern (see picture above)

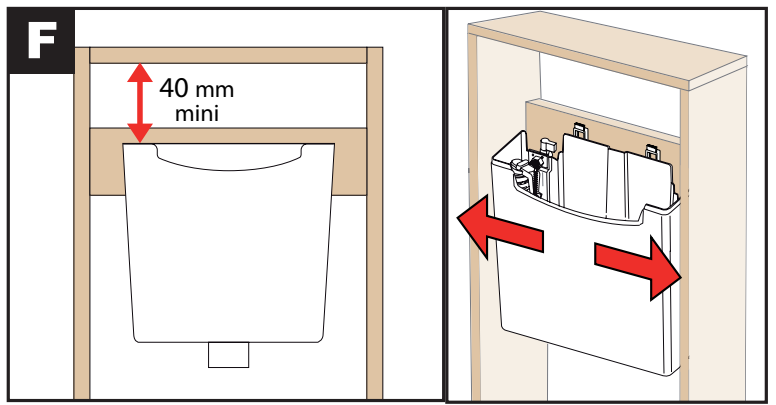
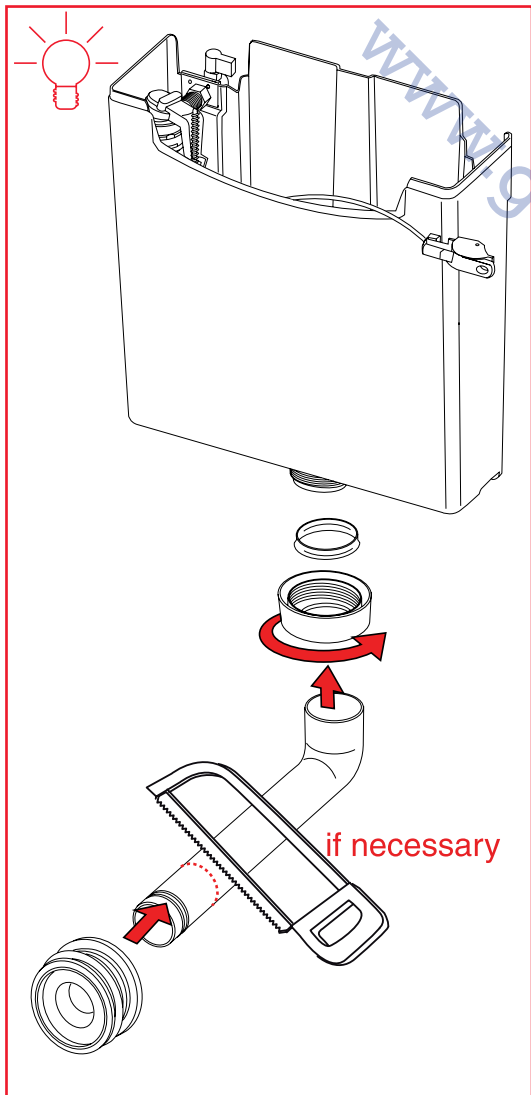
NOTE: If the bottom part of the cistern is on a wall, use two foam pads.

G

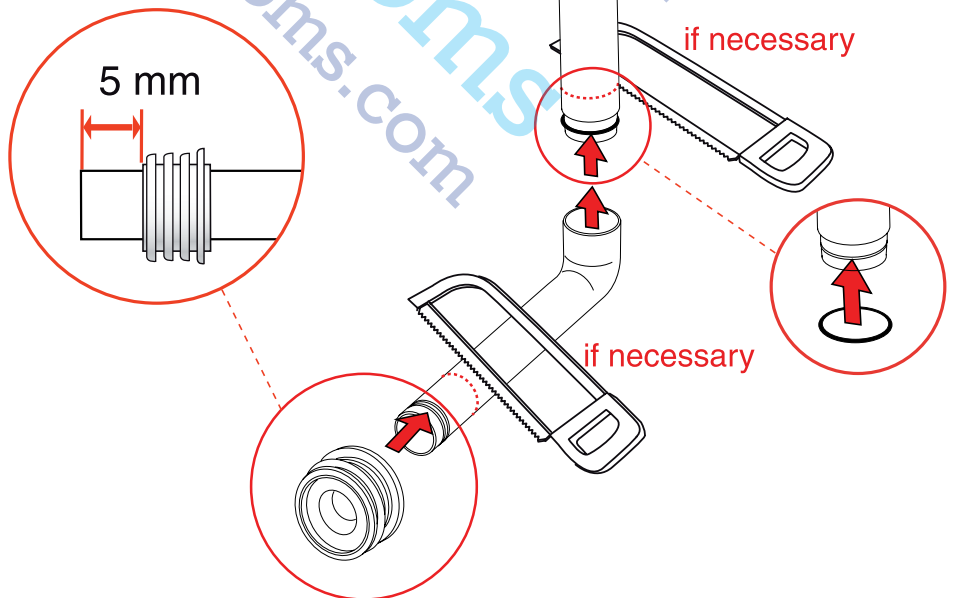
Connect the flush pipe.

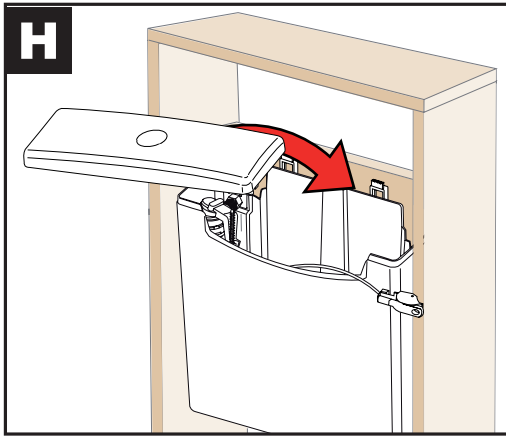
NOTE: it is possible to connect to the cistern without the vertical tube.

Also it is possible to connect to the cistern with use of the vertical section of the flushpipe (if installation space is tight).

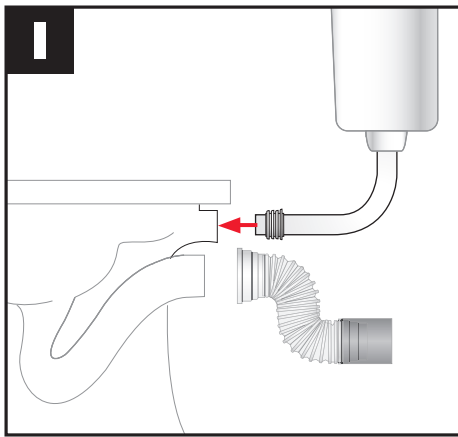


WARNING: The positioning of the cistern must be 40mm minimum from the underside of the furniture or worktop. Horizontal adjustment of the cistern is possible after installation on the brackets.

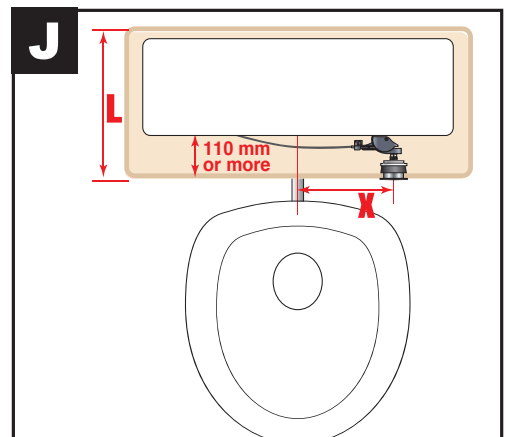




Fit the lid into place, taking care not to twist, kink or trap the cable.

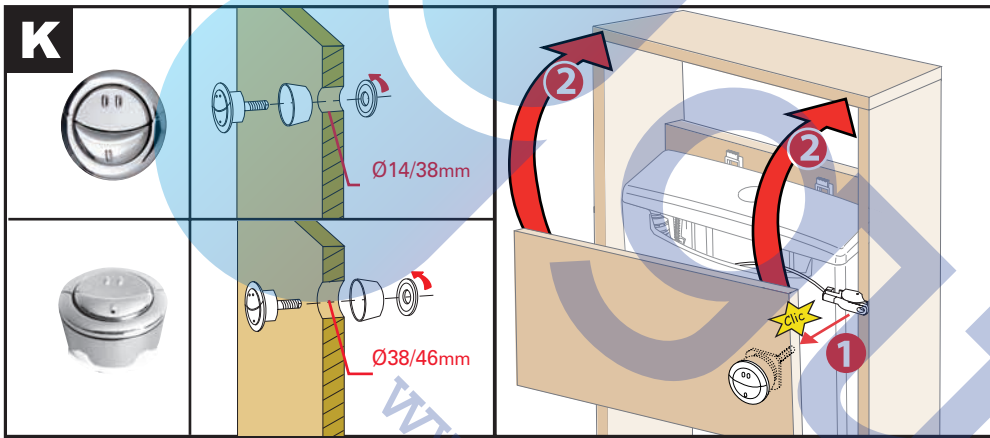


Connect the flexible flush pipe to the pan and the pan connector (not supplied with the cistern) to the waste outlet. Jollyflex is recommended.

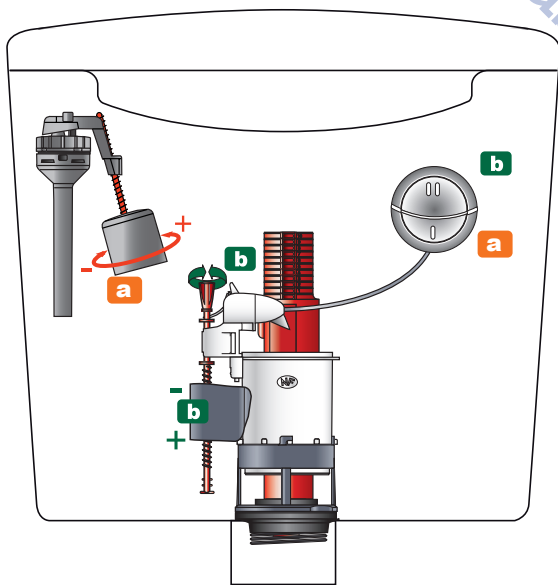


Position the control button on the right: for position see diagram and check against the measurements in box below.

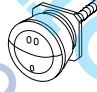
L (mm)	X (mm)
200	400
240	390
300	360
350	340
400	300
440	180





Click the cable onto the pre-assembled button and clip the top fascia onto the unit. Fix the pan to the floor and seal with silicone as required. See trouble shooter in case of problem.





- a** 3 litre adjustment
- b** 6 litre adjustment

-  Dual flush push button in chromed finish
ref: 19008101

-  Black cable for MW2 mechanism
ref: 10717443

-  Overflow washer for WIRQUIN flushing mechanism
ref: M25

-  TOPY float valve
ref: 16300501

-  TOPY diaphragm washer
ref: 19066001



Test the complete cistern when installation is over