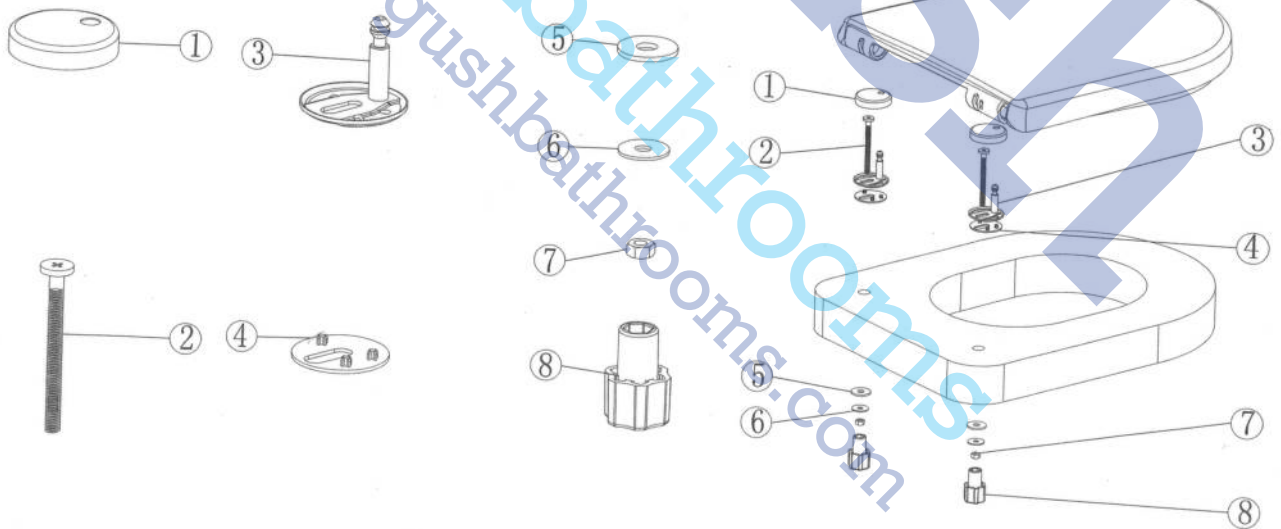
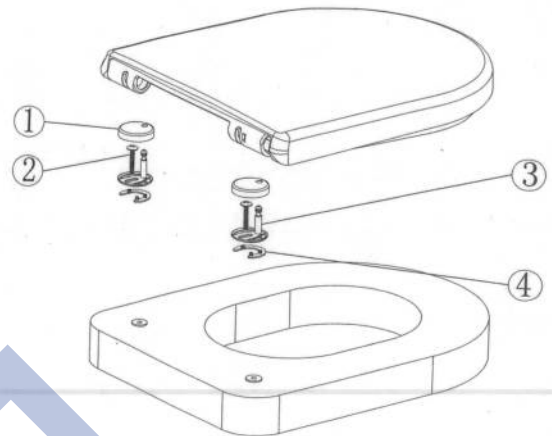
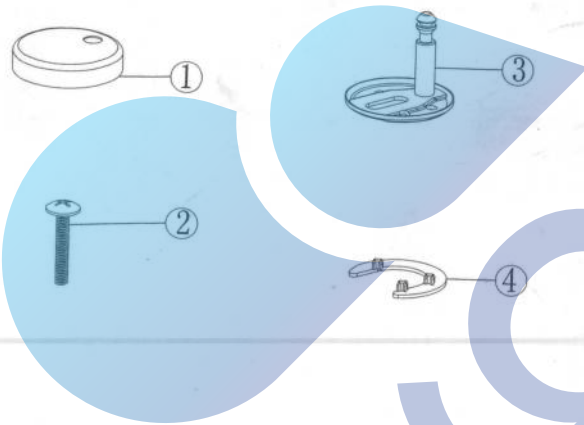


Installation Instruction

INSTALLATION INSTRUCTION OF DIFFERENT HINGES (PLEASE CHOOSE THE RIGHT HINGE)



Cleaning Instructions

- Use only water to clean up.
- Use only a soft cloth.
- Dry seat after washing.
- Do not use any abrasive cleaners or scourers.

Remarks

- Hinges should be adjusted to suit the holes in pan before tightening.
- As seat is self or slow closing, do not use force to close the seat or cover (For soft close seat only).