

SOLID FLOORS (Fig. 4)

The support brackets must be fixed to the floor behind the duct wall with 10mm rawl bolts or similar (not supplied).

WOOD FLOORS (Fig. 4)

Additional strengthening may be necessary. Locate steel plates supplied under floor and fix support brackets to floor with M10 x 65 long square neck dome head screws, nuts and washers (supplied).

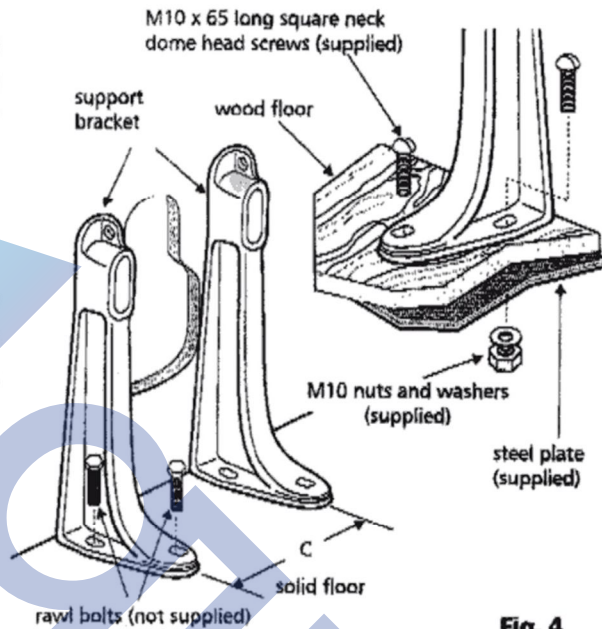
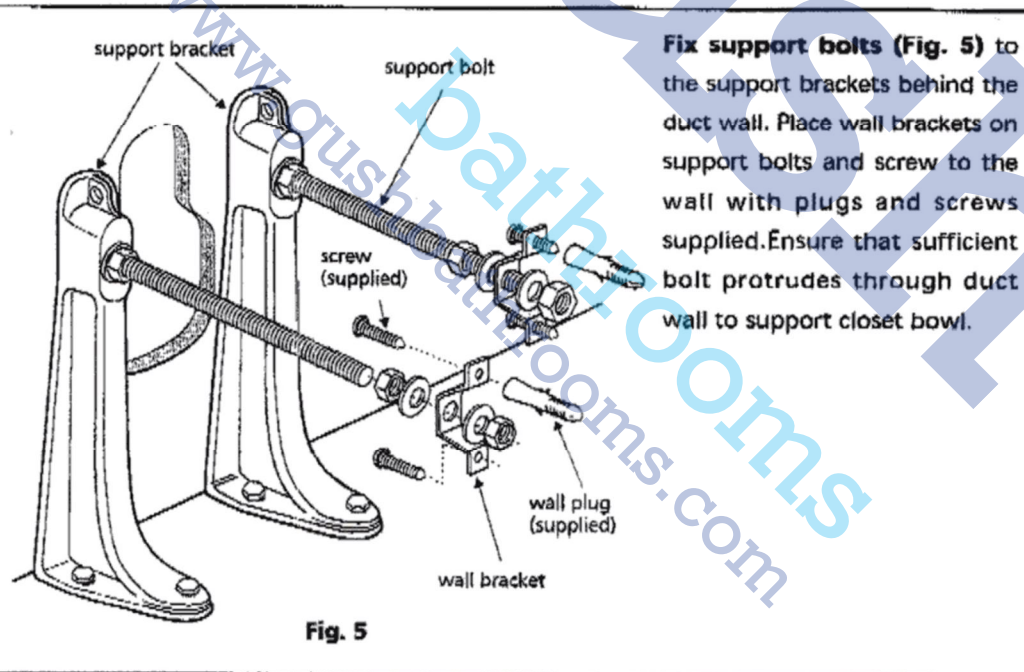


Fig. 4



Fix support bolts (Fig. 5) to the support brackets behind the duct wall. Place wall brackets on support bolts and screw to the wall with plugs and screws supplied. Ensure that sufficient bolt protrudes through duct wall to support closet bowl.

Fig. 5

Insert flush pipe connector

(Fig. 6) into closet bowl inlet. Fit connector to closet bowl outlet.

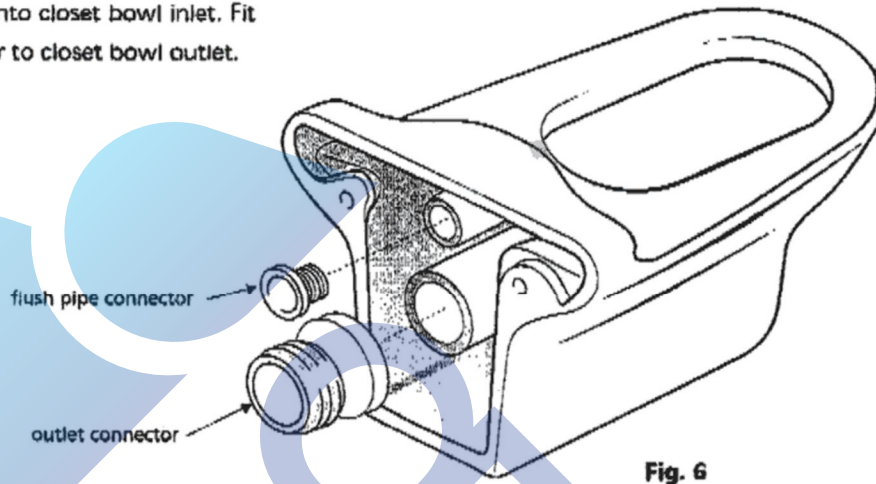


Fig. 6

Locate closet bowl (Fig. 7) on support bolts and secure with plastic sleeve nuts. Provide support under closet bowl during wall mounting.

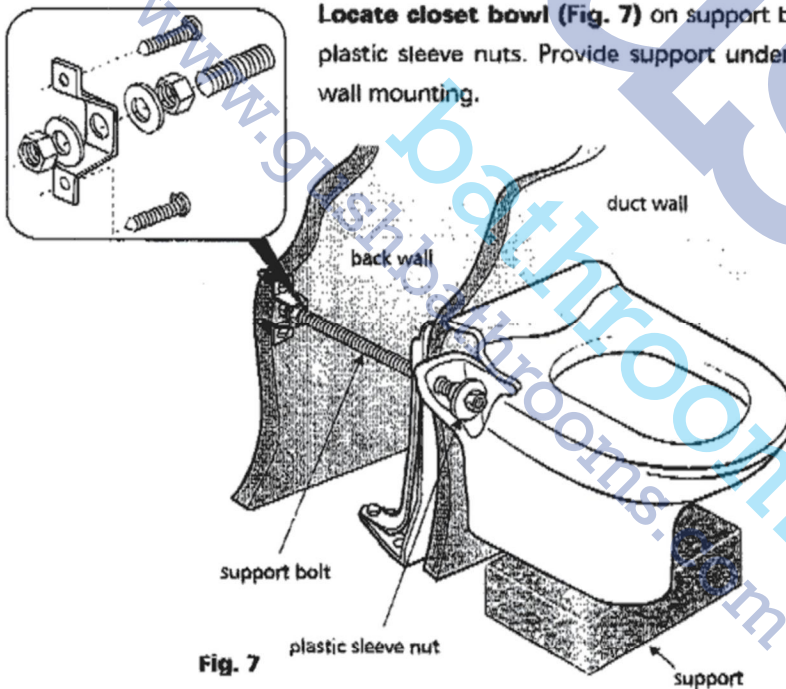


Fig. 7

TECHNICAL INFORMATION

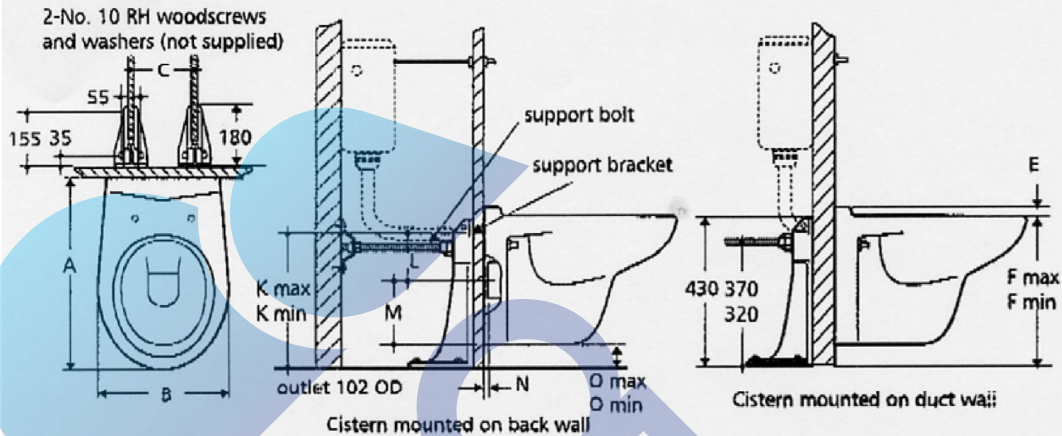
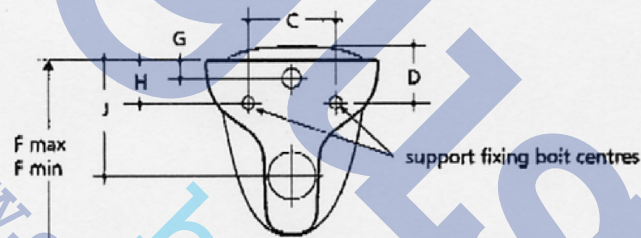


Fig. 1



All dimensions shown in millimetres.
Dimensions shown may vary within permitted tolerances.

Fig. 2 - position of holes in duct wall

The closet bowls have a horizontal outlet and should be connected to the soil pipe by a purpose made connector. In the event of the duct wall being more than 25mm thick, an extension piece may have to be fitted. For cistern fitting details, please refer to instructions supplied with the cistern

When using an in-wall frame, please refer to instructions supplied with the frame.

An access panel in the duct or some other form of access should be provided for maintenance purposes.

Do not install the cistern at a height lower than stated in cistern instructions otherwise the flushing action may be impaired.