

# Stainless steel radiator straight 1200 x 400

## BLEED VALVE

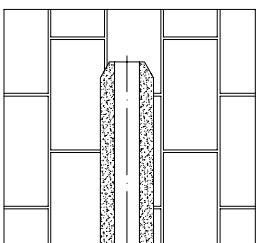


diagram B

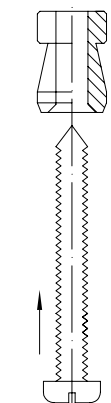
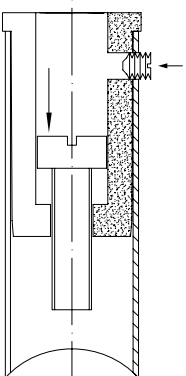


diagram C



T: 1/2" Tapping

D: Dead end

Pipes centres: 50 mm

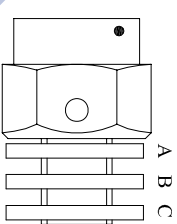


diagram E

- A: Metal washer
- B: Coloured fibre washer
- C: Translucent silicone washer

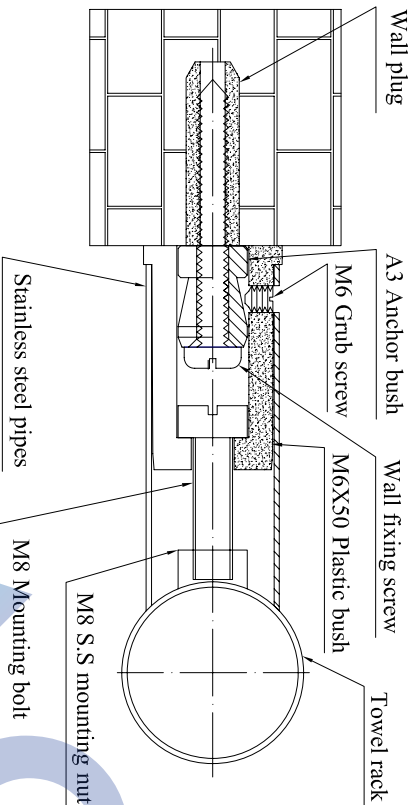


diagram D

PARTS:	Quantity	Description
	1	304 stainless steel ladder radiator
	4	Stainless steel mounting brackets
	4	M8 bracket to rail mounting bolts
	4	M6 Grub Screws
	4	A3 anchor bushes
	4	Wall plugs
	4	65mm wall fixing screws

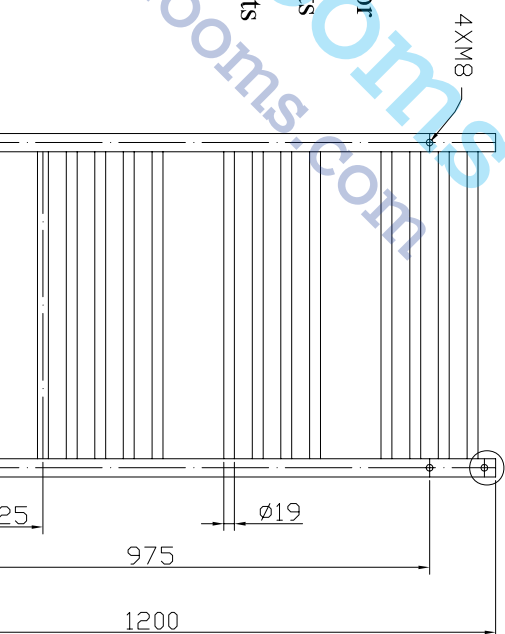


diagram A

## Installation

- 1). Secure the mounting bracket to the radiator M8 nuts using the M8 mounting bolts. (diagram C)
- 2). Position the radiator onto the wall and mark out the fixing positions. (diagram A)
- 3). Drill 4xØ9 holes into the wall. (diagram B)
- 4). Insert the wall plugs and using the 65mm wall screws secure the A3 anchor bush to the wall. (diagram B)
- 5). Place the radiator and its mounting brackets onto the A3 anchor bushes and secure into position using the M6 grub screws. (diagram D)
- 6). **CAUTION:** Please ensure that the bleed valve washer are placed in the correct order as indicated in. (diagram E). Do not over tighten.

